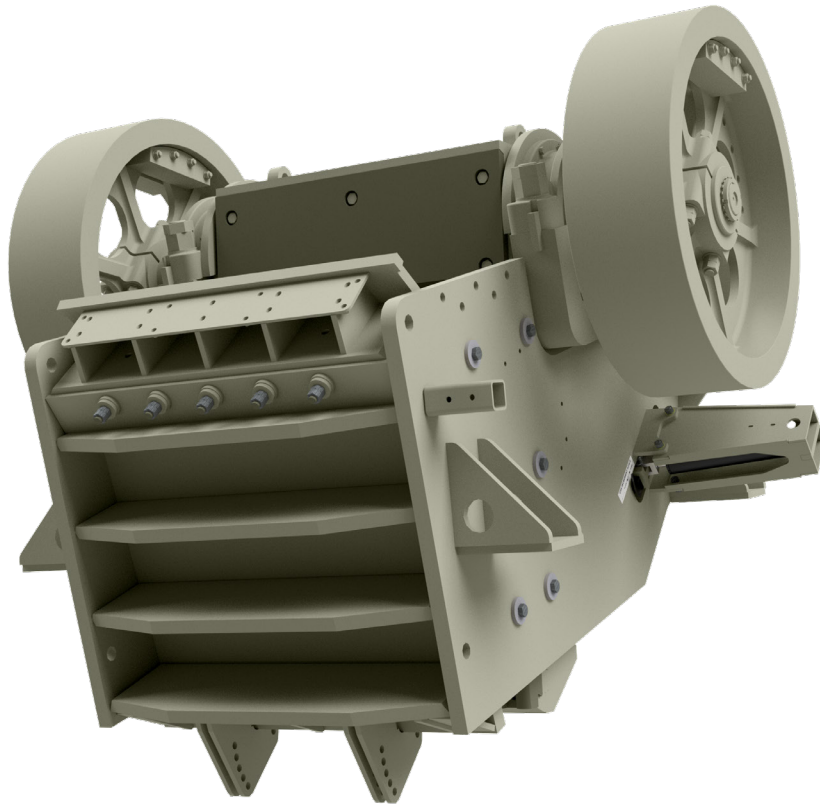


# 2650 Pioneer<sup>®</sup> Jaw Crusher



## **Eccentric Shaft Assembly**

- AISI 4150 solid steel eccentric type
- Cast steel pitman design
- Lubricated spherical roller self-aligning type with straight bore pitman bearing
- Saddle block mounted main bearing housings

## **Flywheel**

- Ductile iron 50" diameter
- Grooveless flywheel

## **Jaw Dies**

- Manganese steel with machined back
- Multiple configurations available

## **Adjustment and Toggle**

- Hydraulic dual wedge
- Auto adjust tension rods with electric/hydraulic controls
- Ductile iron toggle
- Aggressive angle for increased production

## **Base**

- Fabricated steel plate
- Stress relieved
- Abrasion-resistant steel side liners
- Three (3) piece bolt-on side liners
- Reversible side liners

## **Options**

- 150hp TEFC electric motor at 1,200 RPM
- 150hp motor controls and wiring
- V-belt drive (standard drive right hand with material flow)
- Tramp Iron Relief (TIR)
- Receiving hopper
- V-belt guard
- Auto-lube system
- Non-drive flywheel guard

## Physical and Operating Characteristics

Dimension	Standard	Metric
Jaw Feed Opening Gap	26"	660mm
Jaw Feed Opening Width	50"	1,270mm
Moving Jaw Depth	53"	1,346mm
Stationary Jaw Depth	49"	1,244mm
Base Weight	18,800lb	8,528kg
Eccentric Assembly & Flywheels Weight	13,200lb	5,987kg
Total Weight	32,000lb	14,515kg
Recommended Power Diesel	190hp	142 kW
Recommended Power Electric	150hp	112 kW
RPM	260 max	
Stroke	1 ¼"	31.8mm
Closed Side Setting Minimum	2 ½"	64mm
Closed Side Setting Maximum	5"	127mm
Operating Length	100"	2,541mm
Operating Width	105"	2,669mm
Operating Height	97"	2,481mm

## Peak to Peak Approximate Capacity\*

CSS Setting		Tons Per Hour	
Inches	Millimeters	TPH	MTPH
2 ½	64	165	150
3	76	188	170
3 ½	89	211	192
4	102	235	216
5	127	282	256

\*Capacity may vary as much as 25%.

\*\*Based on material weight 2,700 pounds per cubic yard.

