

The Revolver RT 508 Portable Trommel Screening Plant

www.revolvertrommels.com



Applications

Engineered to produce high volumes of;

- Topsoil; Loam; Black dirt;
- Mulch & compost material;
- Recycling & salvage;
- Construction & demolition debris;
- Woodwaste & regrind;

www.revolvertrommels.com

Built in North America to exceed North American Standards

Productive, Versatile - "Low Cost Per Ton"

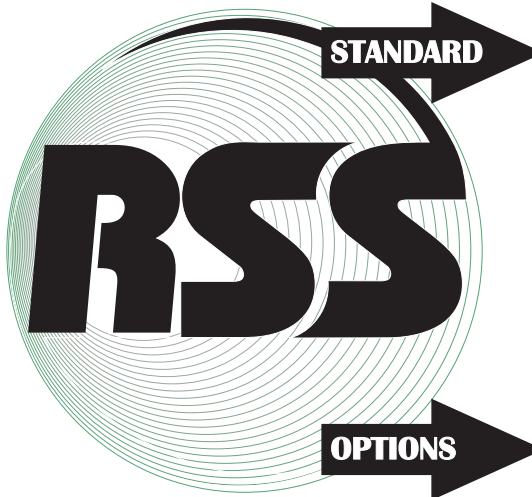


Ground level brush adjustment

5' x 8' "Quick change" drum, reversible;
 4 wheel drive, variable speed, one piece screen;
 4 1/2 Cu. yd. hopper - 36" variable speed feeder;
 Low dump height - load by skid steer or backhoe;
 36" End discharge conveyor, 70 yd. stockpile;



State of the art Control Systems



STANDARD

- Weight: 10,000 Pounds, standard machine
- Kubota or Caterpillar diesel engine
- 12,000lb, electric, braking, highway axle
- Lined low height, high capacity hopper
- Hydraulic landing gear
- Hydraulic folding discharge conveyor
- LED lighting package
- Full weld construction
- Adjustable pintle hitch

OPTIONS

- Extra Drums with choice of design
- Hydraulic plumbing for auxiliary attachments



Maximum hopper opening

Quick & easy relocation & set up

Revolver Screening Systems
 530 Governors Rd. Guelph, Ontario
 Canada N1K1E3 Tel: 519 820 4666
 contact@revolvertrommels.com

DEALER INFORMATION



The Revolver RT508 Portable Trommel Screening Plant "Optional Overs Conveyor"



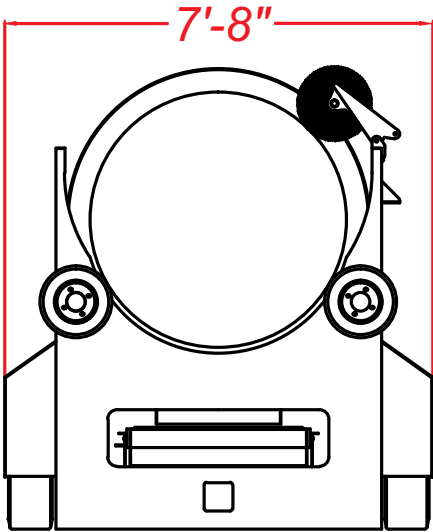
**Plant mounted & removable;
Hydraulic fold for travel;
Variable speed;
Chevron belt with deep cleats;
Receiving hopper with impact bed;
Fully towable by a one ton pickup;**



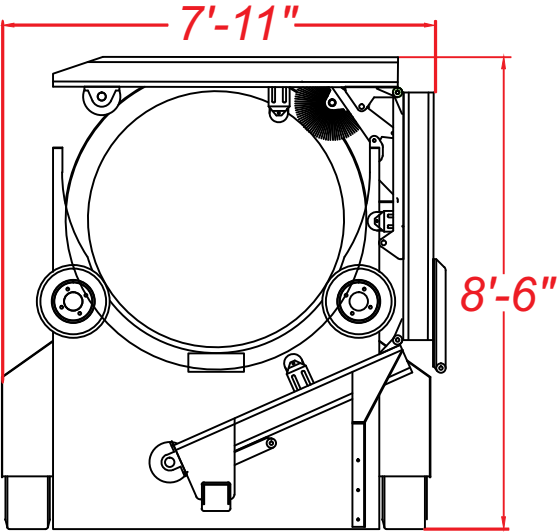
www.revolvertrommels.com

Built in North America to exceed North American Standards

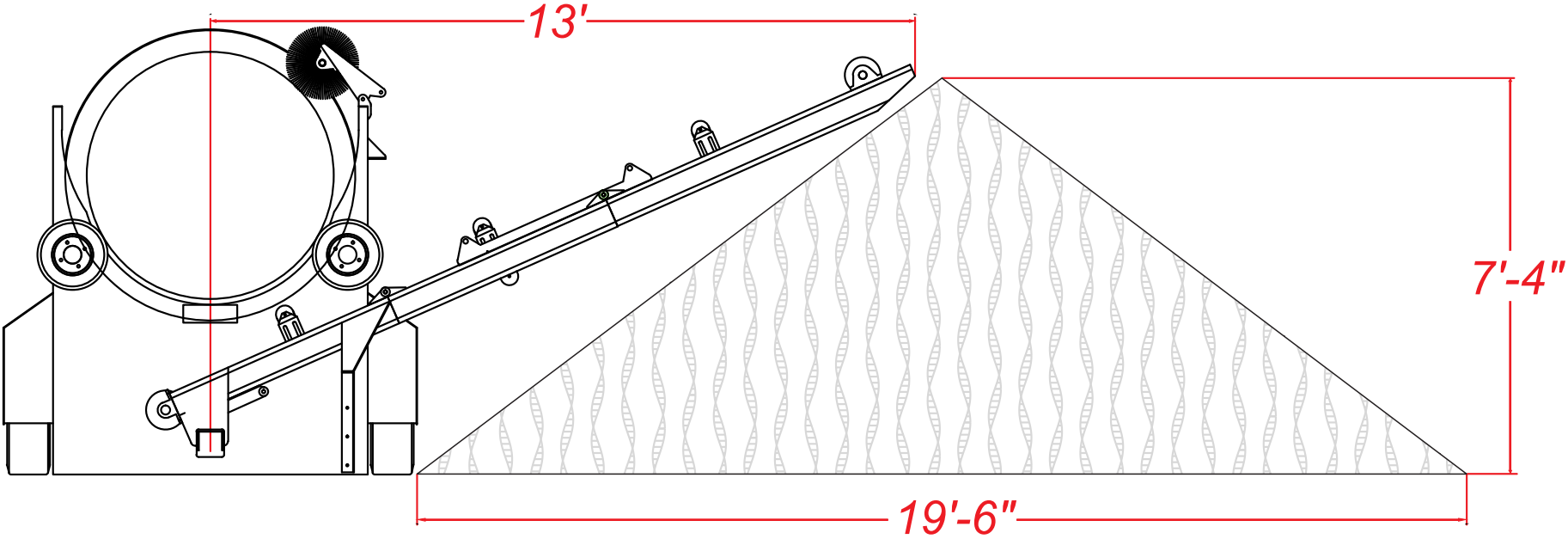
Specifications for Revolver Screening System's Optional Tongue Mounted, Over's Conveyor



Shown Without
Tongue Mounted
Over's Conveyor



Shown With
Tongue Mounted
Over's Conveyor



Ref #	Title: RSS RT508OPT TMC			Project No:	1904
Drawn By: R.S.	Checked By: D.H.	Date 17/11/13	Filename: TMC REV4.dwg	Approval Date: 12/05/11	Scale: N/A
Revolver Screening Systems				Tongue Mounted Over's Conveyor	
Comments: Option for RT508				Rev # 4	Sheet 1 of 1