

**CEDARAPIDS®**  
A TEREX BRAND

## Portable Plants

### CRS620S Variable Slope Screen Plant



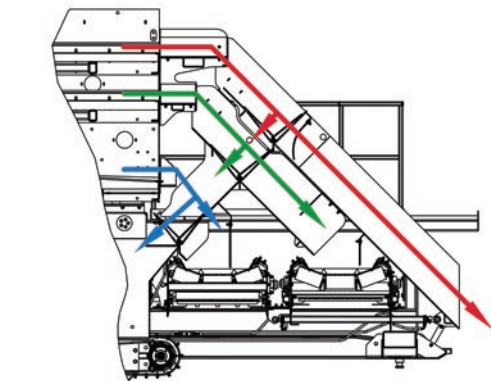
A world working better™

 **TEREX® MPS**

# Cedarapids® Portable Plants

## CRS620S Variable Slope Screen Plant

The Cedarapids® CRS620S (Adjustable Slope) screen plant features the TSV screen. This screen increases production and handles applications not possible with traditional horizontal screens because it combines the legendary El-Jay™ high g-force oval stroke motion with patented adjustable slope operation. This plant can handle larger deck loads and larger screen openings. Screen openings up to 6" (152mm) are possible. Hydraulics quickly change the screen slope in 2.5° increments up to a maximum of 7.5° to best fit the application.

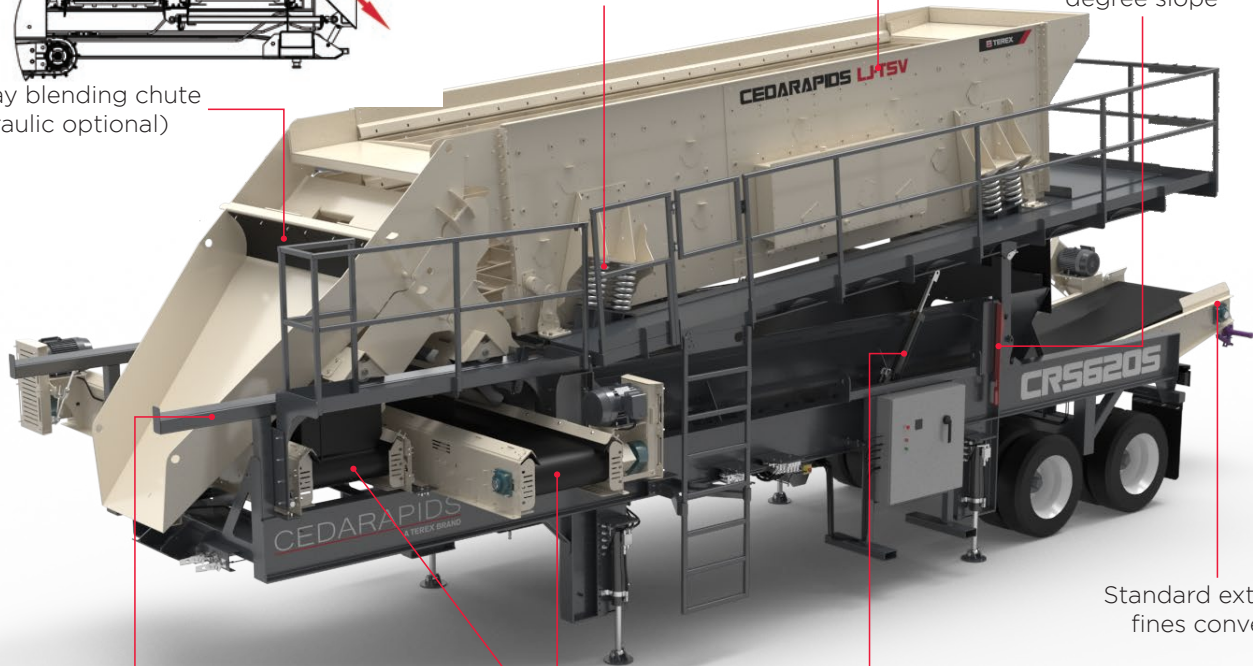


Roll away blending chute  
(hydraulic optional)

Patented slant spring  
suspension stabilizes screen at  
any operational slope

6' x 20' TSV6203 screen

Tool-less ratchet support allows  
operation at 0, 2.5, 5.0, & 7.5°  
degree slope



Optional extended walkways along  
chutes for easier screen cloth changes

30" 7.5 hp reversing  
cross conveyors

Hydraulic lift on screen  
support changes slope  
quickly without tools

Standard extended  
fines conveyor

Optional hinged fines  
conveyor folds for  
export

### Standard Features

LJ-TSV6203-32 heavy-duty "slant spring" triple-shaft El-Jay™ oval stroke screen

- Patent-pending slant spring suspension for 0° to 7.5° slope operation
- Adjustable screen stroke angle and stroke length
- 5/16" (8 mm) thick side plates & beam to beam braced decks
- Patent-pending low maintenance surge dampers/ship braces
- Patented triple-shaft lubrication system
- QuickLube connections for TOPS 2.0 filter system
- Patented deck deflectors boost screen effective area, increasing capacity 12%

Pivoting screen support frame adjusts from 0° to 7.5° slope

- Hydraulic lift in 2.5° increments with tool-less ratchet support
- Gas powered hydraulic unit included with base plant

Patented low maintenance 40 hp flex shaft screen drive

- No drive belt whip or tension idler
- No drive belt pull affecting screen movement
- Drive folds for travel without shaft disassembly

Shown at 5 degree slope with optional hydraulic jacks, switchgear panel, and extended walkways

**Extra-wide walkways on both sides and feed end of screen**

- Non-skid surfaces can be shovel cleaned
- Spring-return safety gates and ladders on both sides

**Heavy-duty roll-away blending chutes for screen cloth access**

- 3/8" (9.5 mm) AR400 steel construction
- Four section (25%) blending gates for all decks
- Combine decks: top-center, center-bottom, bottom-fines

**Rugged heavy-duty conveyor systems**

- Inclined 48" (1219 mm) 7.5 hp (5.6 kW) fines conveyor with extended discharge clearance and primary style belt wiper
- Dual 30" (9762 mm) reversible 7.5 hp (5.6 kW) cross conveyors extend up to 42" (1067 mm) beyond main frame
- 3-ply belts with vulcanized belt splices
- Cema C class troughing idlers and rubber disk return idlers
- Class II shaft mount gear boxes and TEFC motors
- Belt centering side roller guides
- Easy access belt take-up (end pull on cross conveyors)

**Heavy-duty I-beam main frame**

- Tandem axle 25,000 lb (11340 kg) leaf spring suspension
- Air brakes with spring applied emergency brakes
- Lights and splash guards
- Eight 295/75 R22.5 tires and two crank-style landing jacks

**Clamp bar stowage racks on feed end of screen walkway**

**Optional equipment**

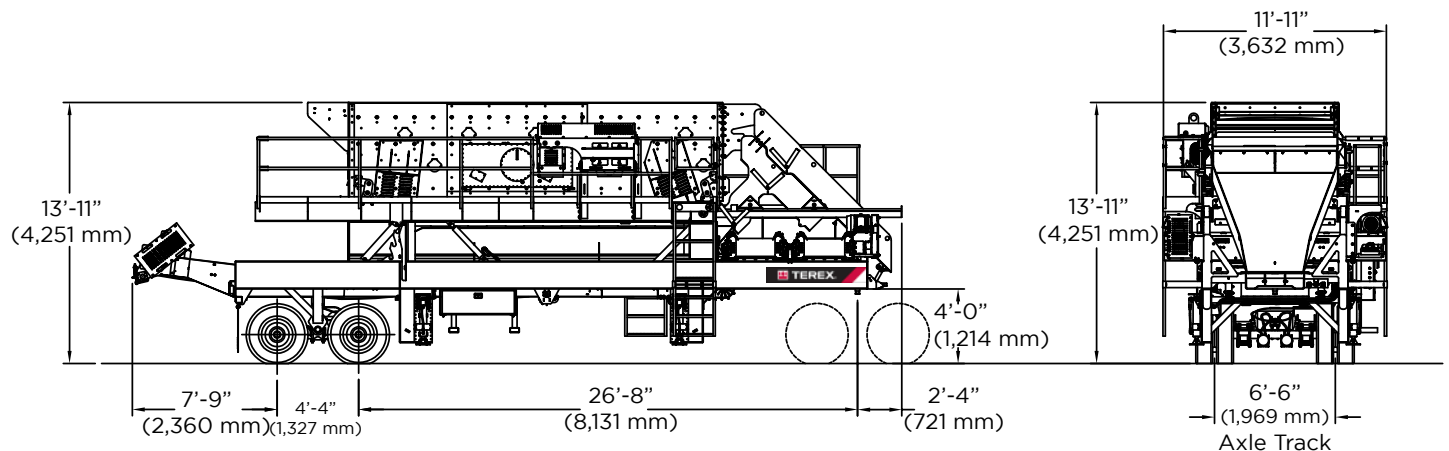
- Extended walkway along chutes
- Hydraulic power for roll-away chutes
- Removable switchgear panel and frame with 20' (6096 mm) extra cable and cable wraps
- Two crank-style rear leveling jacks
- Four hydraulic leveling or pinned run-on jacks
- Oversize 315/80 R22.5 tires
- 2" to 3.5" (51 mm to 89 mm) convertible king pin
- Magnetic screen deck liners for cross beams and diagonal braces
- TOPS 2.0 portable oil filter system
- Hinged fines conveyor for export

Specifications	Dimensions		Power	
LJ-TSV6203 Screen	6' x 20'	1829 x 6096 mm	40 hp	30 kW
Underscreen Conveyor	48"	1219 mm	7.5 hp	5.6 kW
Cross Conveyors	30"	762 mm	7.5 hp	5.6 kW

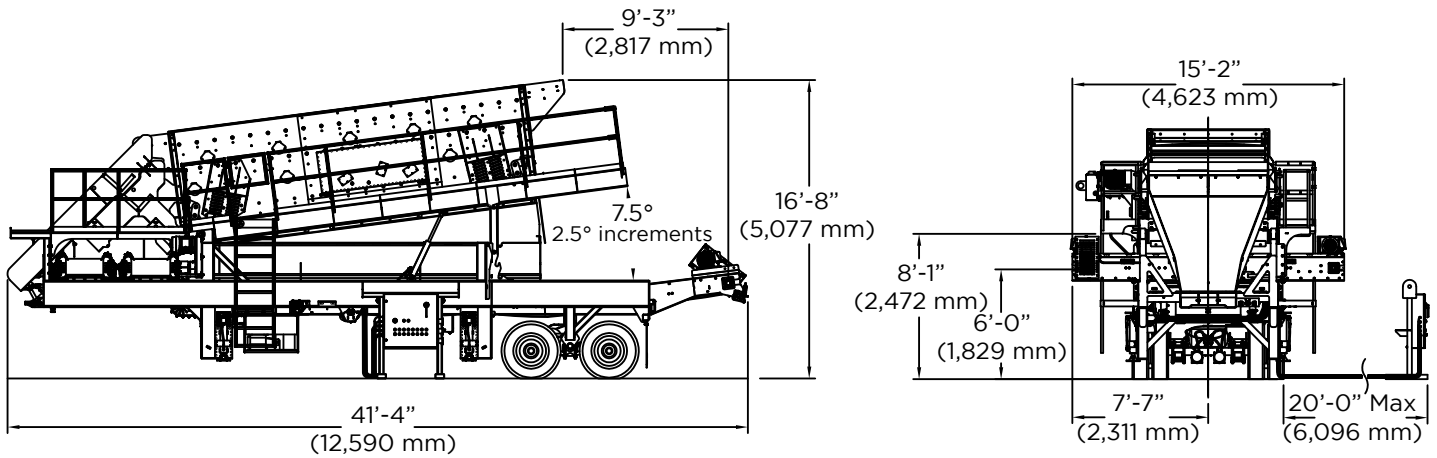
Estimated Weights	Kingpin	Axles	Total
Plant*	22,100 lb (10,020 kg)	31,700 lb (14,380 kg)	53,800 lb (24,400 kg)

\*Weights include select options: hydraulic jacks and switchgear panel.

**Transport Dimensions**



Operation Dimensions - Shown at max 7.5°



Unit shown with the following options: extended walkway along chutes, hydraulic power for roll-away chutes, and removable switchgear panel.

[www.terexmps.com](http://www.terexmps.com)  
[mpsmarketing@terex.com](mailto:mpsmarketing@terex.com)

Product specifications and prices are subject to change without notice or obligation. The photographs and/or drawings in this document are for illustrative purposes only. Refer to the appropriate Operator's Manual for instructions on the proper use of this equipment.

Failure to follow the appropriate Operator's Manual when using our equipment or failure to act responsibly may result in serious injury or death.

The only warranty applicable to our equipment is the standard written warranty applicable to the particular product and sale, and Terex makes no other warranty, express or implied. Terex, the Terex Crown design, Cedarapids, Canica, Simplicity, Jaques, El-Jay and Rollercone are trademarks of Terex Corporation or its subsidiaries. All rights are reserved. © February 2021

