

CRS620S PORTABLE SCREEN PLANT

Featuring Adjustable Slope Operation to Best Fit the Application

Standard roll-away chute system shown with optional hydraulic power. Other options shown include extended walkway along chutes, removable switchgear panel, and hydraulic leveling jacks.



STANDARD FEATURES

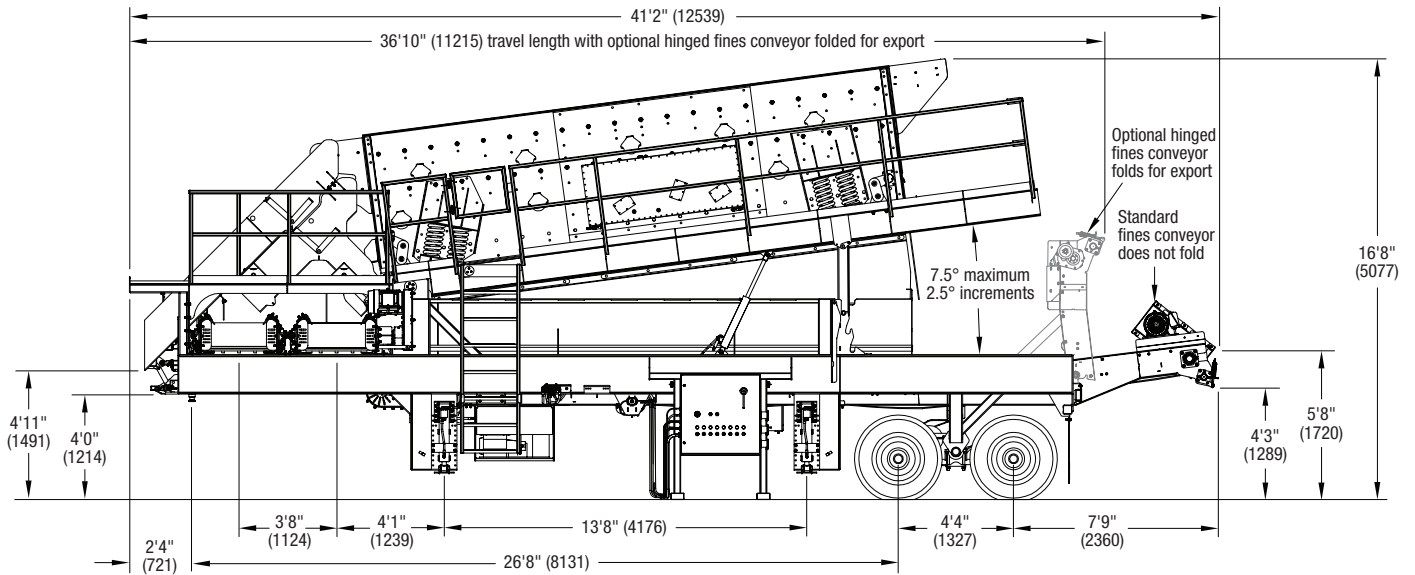
- ▶ LJ-TSV6203-32 heavy-duty “slant spring” triple-shaft El-Jay™ oval stroke screen
 - Patent-pending slant spring suspension for 0° to 75° slope operation
 - Adjustable screen stroke angle and stroke length
 - 5/16" (8 mm) thick side plates & beam to beam braced decks
 - Patent-pending low maintenance surge dampers/ship braces
 - Patent-pending replaceable seal strips allow 4' or 5' (1219 mm or 1524 mm) wire cloth lengths
 - Patented triple-shaft lubrication system
 - QuickLube connections for TOPS 2.0 filter system
- ▶ Pivoting screen support frame adjusts from 0° to 75° slope
 - Hydraulic lift in 2.5° increments with tool-less ratchet support
- ▶ Patented low maintenance 40 hp flex shaft screen drive
 - No drive belt whip or tension idler
 - No drive belt pull affecting screen movement
 - Drive folds for travel without shaft disassembly
- ▶ Extra-wide walkways on both sides and feed end of screen
 - Non-skid surfaces can be shovel cleaned
 - Spring-return safety gates and ladders on both sides
- ▶ Heavy-duty roll-away blending chutes for screen cloth access
 - 3/8" (9.5 mm) AR400 steel construction
 - Four section (25%) blending gates for all decks
 - Combine decks: top-center, center-bottom, bottom-fines
- ▶ Rugged heavy-duty conveyor systems
 - Inclined 48" (1219 mm) 7.5 hp (5.6 kW) fines conveyor with extended discharge clearance and primary style belt wiper
 - Dual 30" (9762 mm) reversible 7.5 hp (5.6 kW) cross conveyors extend up to 42" (1067 mm) beyond main frame
 - 3-ply belts with vulcanized belt splices
 - Cema C class troughing idlers and rubber disk return idlers
 - Class II shaft mount gear boxes and TEFC motors
 - Belt centering side roller guides
 - Easy access belt take-up (end pull on cross conveyors)
- ▶ Heavy-duty I-beam main frame
 - Tandem axle 25,000 lb (11340 kg) leaf spring suspension
 - Air brakes with spring applied emergency brakes
 - Lights and splash guards
 - Eight 295/75 R22.5 tires and two crank-style landing jacks
- ▶ Clamp bar stowage racks on feed end of screen walkway

OPTIONAL EQUIPMENT

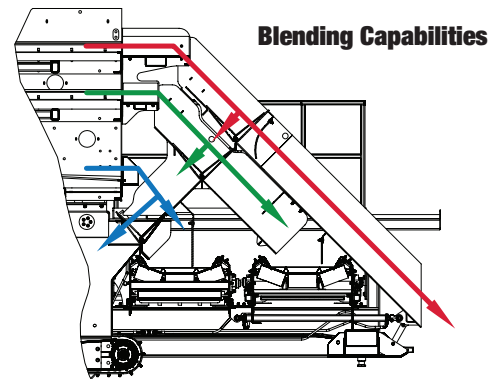
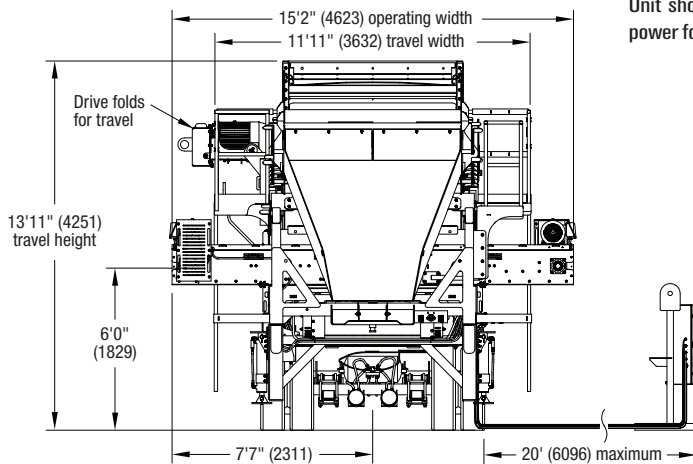
- ▶ Extended walkway along chutes
- ▶ Hydraulic power for roll-away chutes
- ▶ Removable switchgear panel and frame with 20' (6096 mm) extra cable and cable wraps
- ▶ Two crank-style rear leveling jacks
- ▶ Four hydraulic leveling or pinned run-on jacks
- ▶ Patent-pending deck deflectors boost screen effective area
- ▶ Oversize 315/80 R22.5 tires
- ▶ 2" to 3.5" (51 mm to 89 mm) convertible king pin
- ▶ Magnetic screen deck liners for cross beams and diagonal braces
- ▶ TOPS 2.0 portable oil filter system
- ▶ Hinged fines conveyor for export

SPECIFICATIONS

Terex® Minerals Processing Systems Cedarapids® CRS620S Portable Screen Plant



Unit shown with the following options: extended walkway along chutes, hydraulic power for roll-away chutes, removeable switchgear panel, and hydraulic leveling jacks.



SPECIFICATIONS

| | |
|-----------------------------------|---------------------------|
| Cedarapids LJ-TSV6203 Screen..... | 6' x 20' (1829 x 6096 mm) |
| Underscreen conveyor..... | 48" (1219 mm) |
| Cross conveyors | 30" (762 mm) |
| Horsepower | |
| Cedarapids LJ-TSV6203 Screen..... | 40 hp (30 kW) |
| Underscreen conveyor..... | 7.5 hp (5.6 kW) |
| Cross conveyors | 7.5 hp (5.6 kW) |

Approximate Weights

| | |
|--------------|-----------------------|
| Kingpin..... | 24,000 lbs (10890 kg) |
| Axles..... | 29,000 lbs (13155 kg) |
| Total..... | 53,000 lbs (24045 kg) |

www.terexmps.com

Effective Date: October 2014. Product specifications and prices are subject to change without notice or obligation. The photographs and/or drawings in this document are for illustrative purposes only. Refer to the appropriate Operator's Manual for instructions on the proper use of this equipment. Failure to follow the appropriate Operator's Manual when using our equipment or to otherwise act irresponsibly may result in serious injury or death. The only warranty applicable to our equipment is the standard written warranty applicable to the particular product and sale and Terex makes no other warranty, express or implied. Terex, the Terex Crown design, Works For You, Cedarapids, and El-Jay are trademarks of Terex Corporation or its subsidiaries. © 2014 Terex Minerals Processing Systems. All rights are reserved.

Terex® Minerals Processing Systems, 909 17th Street NE, Cedar Rapids, IA 52402 USA
Tel +1 319 363 3511 ▪ Fax +1 319 399 4871 ▪ Email MPSsales@terex.com ▪ www.terexmps.com

Form 26303 (10/14)



WORKS FOR YOU.™